

# TECHNICAL DATA SHEET

## RADIAL FAN nr. AFGG-35\_23



G&G filtration CZ, s.r.o.

A Hrubínova 1903/9, 66451 Šlapanice, CZ  
 IČ 05226953 IČ DPH CZ05226953  
 E [info@ggf.cz](mailto:info@ggf.cz) W [www.ggf.cz](http://www.ggf.cz)

**ITEM1**

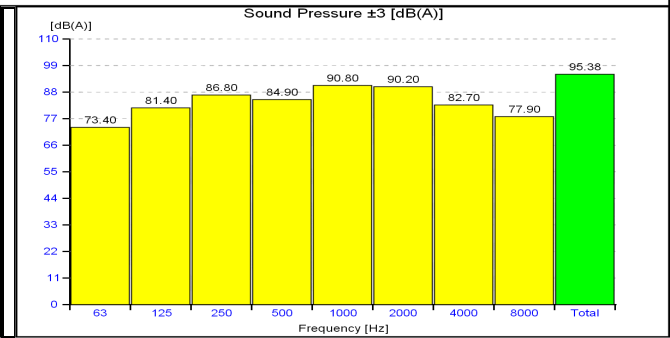
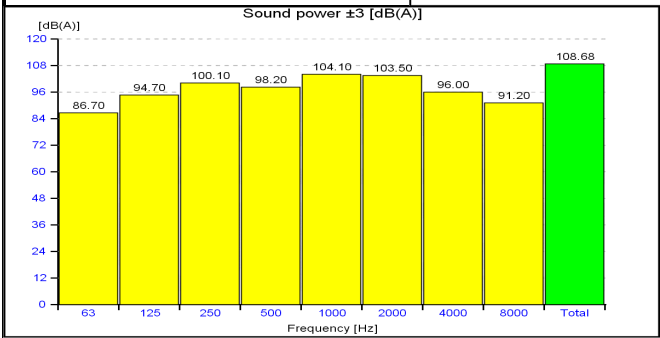
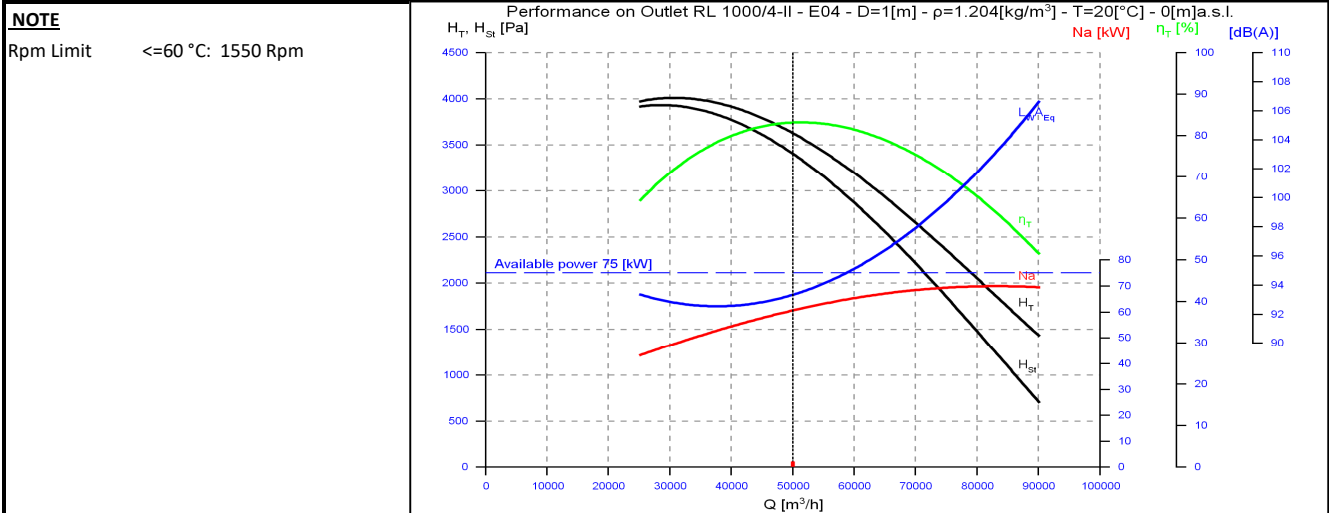
Document printed by Aeraulica - Dimensions and performances can be changed without prior notice

| Type and characteristics of the requested machine |              | performance on                           |  | Outlet        |
|---|--------------|--|--|---------------|
| Flow rate   | 50000 [m3/h] | Capacity (Normal)                        |  | 46589 [Nm3/h] |
| Total pressure                                    | 3550 [Pa]    | Static pressure                          |  |               |
| Working fluid temperature                         | 20 [°C]      | Fluid specific weight                    |  | 1.204 [Kg/m3] |
| Installation altitude                             | 0 asl [m]    | Specific weight std (20 [°C], 0 asl [m]) |  | 1.204 [Kg/m3] |

| Suggested model and effective characteristics |              |               |     | performance on                                |  | Outlet         |
|---|--------------|---------------|-----|---|--|----------------|
| Model   | RL 1000/4-II | Execution     | E04 | Installation Type                             | A (free inlet and outlet)                      |                |
| Fluid specific weight                         | 1.204        | 1.204 [Kg/m3] |     | Revolution fan speed                          |  | 1480 [rpm]     |
| Total pressure                                | 3626         | 3626 [Pa]     |     | Orientation                                   |  | RD 0           |
| Static pressure                               | 3402         | 3402 [Pa]     |     | Sound power LwA                               |  | 108.68 [dB(A)] |
| Flow rate                                     | 50000        | 50000 [m3/h]  |     | Sound pressure at mt.1.5 1/2 sf in open field |  | 95.38 [dB(A)]  |
| Capacity (Normal)                             | 46589        | 46589 [Nm3/h] |     | Pipings                                       | s>3mm = +3dB; 1mm<s<3mm = +4,5dB; s<1mm = +6dB |                |
| Power dem. at shaft                           | 60.57        | 60.57 [kW]    |     | Fan efficiency                                | Outlet   | 83.15 %        |
| Motor power demand                            | 60.57        | 60.57 [kW]    |     |   |  |                |

| Characteristics of chosen motor |                 |          |    | Motor efficiency IEC 60034-30 |      |      | IE3  | PD <sup>2</sup> impeller | 75.0 | kgm <sup>2</sup>      |     |                  |
|---------------------------------|-----------------|----------|----|-------------------------------|------|------|------|--------------------------|------|-----------------------|-----|------------------|
| Code                            | 280S04-50/std3P | shape    | B3 | Efficiency                    | 95   | 95.3 | 95   | PD <sup>2</sup> needed   | 74.5 | kgm <sup>2</sup>      |     |                  |
| Rated power                     | 75.0 [kW]       | n° poles | 4  | rpm                           | 1485 | Load | 100% | 75%                      | 50%  | PD <sup>2</sup> motor | 270 | kgm <sup>2</sup> |

| ErP 2009/125/CE Regulament (UE) N. 327/2011 |                 | Notes            |              |
|---|-----------------|------------------|--------------|
| Efficiency grade                            | 64              | N                | 77.3         |
| Impeller type                               | backward blades | Type of test     | B/total      |
|   |                 | Flow rate        | 51444 [m3/h] |
|   |                 | Pressure         | 3334 [Pa]    |
|   |                 | Total efficiency | 79.24 %      |



values of the noise of fan obtained in ambient not reverberant with inlet and outlet ducts fully insulated

# TECHNICAL DATA SHEET

## RADIAL FAN nr. AFGG-35\_23



G&G filtration CZ, s.r.o.

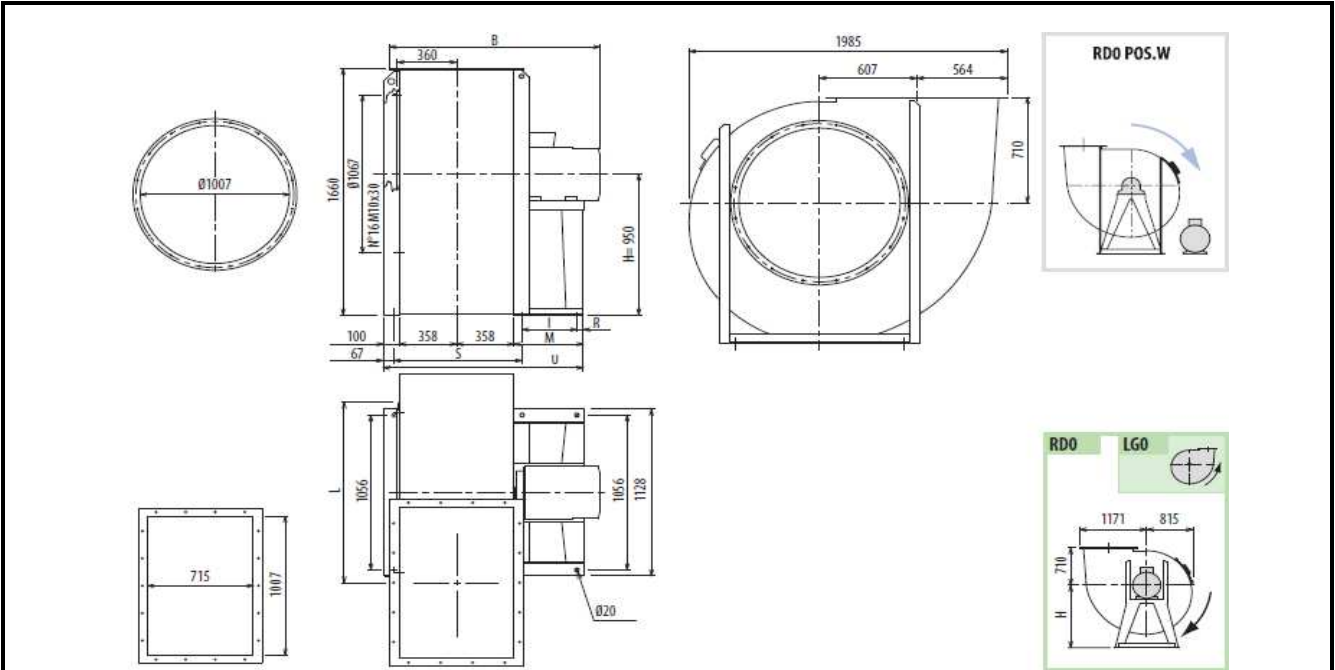
A Hrubínova 1903/9, 66451 Šlapanice, CZ

IČ 05226953 IČ DPH CZ05226953

E [info@ggf.cz](mailto:info@ggf.cz) W [www.ggf.cz](http://www.ggf.cz)

### ITEM1

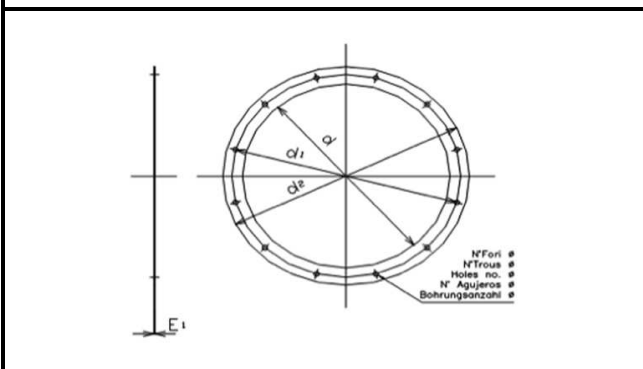
Document printed by Aeraulica - Dimensions and performances can be changed without prior notice



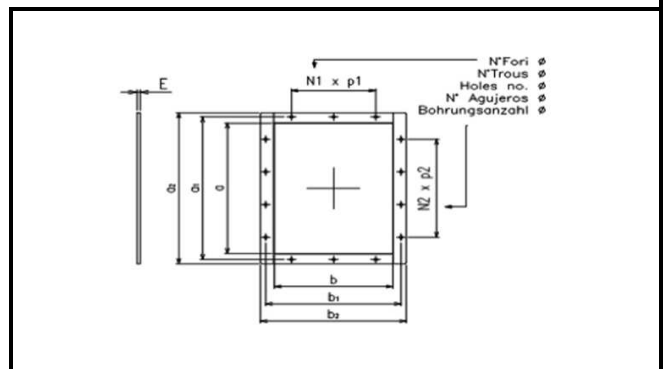
Indicative measures in the standard configuration. For detailed information contact your reference.

Indicative value of weight including standard motor.

| B    | I   | H   | H1  | H2   | L    | M   | R  | S   | U    | PD2 | kg   |
|------|-----|-----|-----|------|------|-----|----|-----|------|-----|------|
| 1635 | 590 | 950 | 710 | 1180 | 1255 | 690 | 45 | 803 | 1505 | 75  | 1278 |
|      |     |     |     |      |      |     |    |     |      |     |      |
|      |     |     |     |      |      |     |    |     |      |     |      |



| Cod    | dxn°    | d1   | d2   | Φ  | E1 |
|--------|---------|------|------|----|----|
| 1007 B | 1007x16 | 1067 | 1107 | 14 | 6  |



| Cod       | axb      | a1   | b1  | a2   | b2  |
|-----------|----------|------|-----|------|-----|
| 1007x0715 | 1007x715 | 1077 | 785 | 1127 | 835 |

| N1xp  | N2xp  | n° | Φ  | E |
|-------|-------|----|----|---|
| 3x200 | 4x200 | 18 | 14 | 8 |

|  |  |  |  |  |
|--|--|--|--|--|
|  |  |  |  |  |
|--|--|--|--|--|

|  |  |  |  |  |
|--|--|--|--|--|
|  |  |  |  |  |
|--|--|--|--|--|

|  |  |  |  |  |
|--|--|--|--|--|
|  |  |  |  |  |
|--|--|--|--|--|